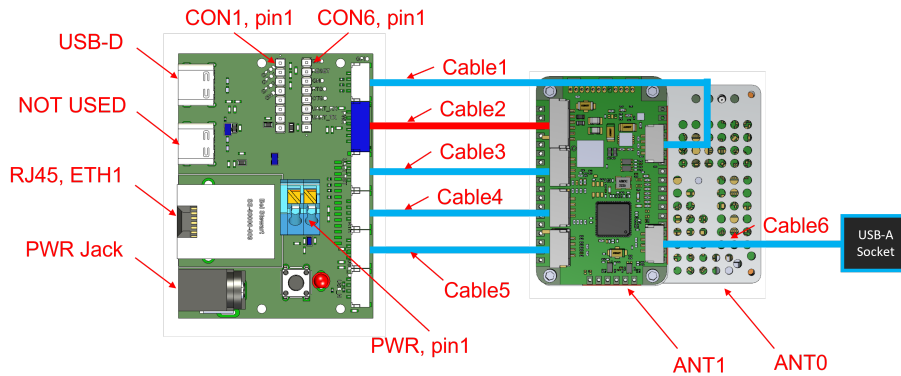


mini-OEM and Helix Mesh Rider Radio – Eval Kit Connector Descriptions

Connectors



Cables

Cable Number	Description
Cable1	20cm, 4-position JST-GH to JST-GH cable
Cable3, Cable4 Cable5	10cm, 4-position JST-GH to JST-GH cable
Cable2	20cm, 6-position JST-GH to JST-GH cable
Cable6	10cm, 4-position JST-GH to USB-A Socket. USB-Host connector

Pin Headers

CON1

- 2-mm pin header

Pin Number	Direction	Voltage	Pin Description
PIN 1	I/O	0V to +2.8V	GPIO0

Pin Number	Direction	Voltage	Pin Description
PIN 2	I/O	0V to +2.8V	GPIO1
PIN 3	I/O	0V to +2.8V	GPIO2
PIN 4		GND	GND
PIN 5			NOT USED
PIN 6			NOT USED
PIN 7			NOT USED
PIN 8			NOT USED

CON6

- 2-mm pin header

Pin Number	Direction	Voltage	Pin Description
PIN 1		GND	GND
PIN 2	I	0V to +2.8V	Reset pin (pulled HIGH internally). Pull LOW to reset
PIN 3		GND	GND
PIN 4			NOT USED
PIN 5			NOT USED
PIN 6	I	0V to +3.3V	UART_RX
PIN 7	O	0V to +3.3V	UART_TX
PIN 8		GND	GND

Snap-in Connector (PWR)

Pin Number	Direction	Voltage	Pin Description
PIN 1		GND	GND
PIN 2	I	+5-V	PWR

Standard Connectors

- USB-D: USB-C Device Connector supporting Ethernet over USB only
- RJ45: RJ45 Jack connected to Eth1
- PWR Jack: RAPC712X Barrel connector. 2.5-mm inner diameter, 6.3mm outer diameter.
- ANT0/ANT1: MMCX Female Connectors