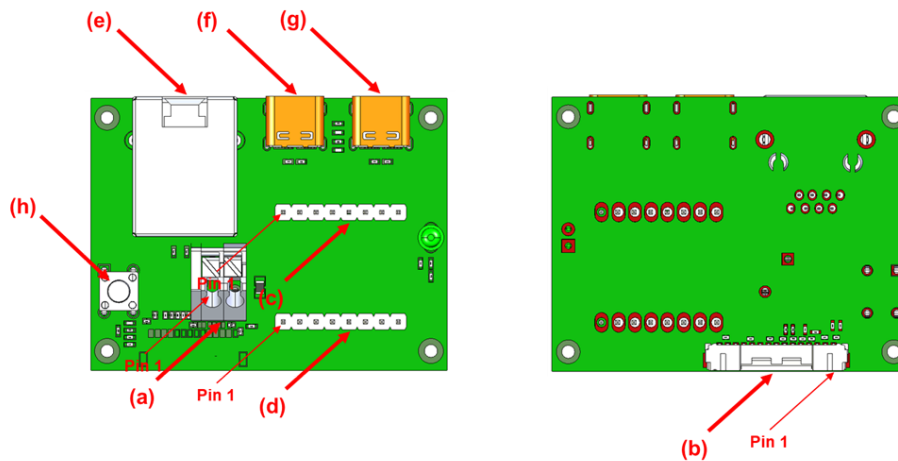


nano/mini-OEM and Helix Mesh Rider Radio – Eval Kit Connector Descriptions

Connectors



S. No	Description
a	Power connector, snap-in
b	Primary connector to Helix Mesh Rider Radio
c	Pin header, 2.54 mm
d	Pin header, 2.54 mm
e	RJ45 connector, ETH1
f	USB-C Device data port
g	DNP
h	Factory reset switch

Pin Headers

Power Connector

Pin Number	Voltage	Pin Description
PIN 1	GND	GND
PIN 2	+5.0V	Power In

Pin header (c)

Pin Number	Direction	Voltage	Pin Description
PIN 1		GND	GND
PIN 2	I/O	Diff Signal	USB-Device-D- (Ethernet over USB only)
PIN 3	I/O	Diff Signal	USB-Device-D+ (Ethernet over USB only)
PIN 4		GND	GND
PIN 5			NOT USED
PIN 6		GND	GND
PIN 7			NOT USED
PIN 8			NOT USED

Pin header (d)

Pin Number	Direction	Voltage	Pin Description
PIN 1			NOT USED
PIN 2			NOT USED

Pin Number	Direction	Voltage	Pin Description
PIN 3			NOT USED
PIN 4			NOT USED
PIN 5		GND	GND
PIN 6	I/O	0V to +2.8V	GPIO2
PIN 7	I	0V to +3.3V	UART_RX
PIN 8	O	0V to +3.3V	UART_TX