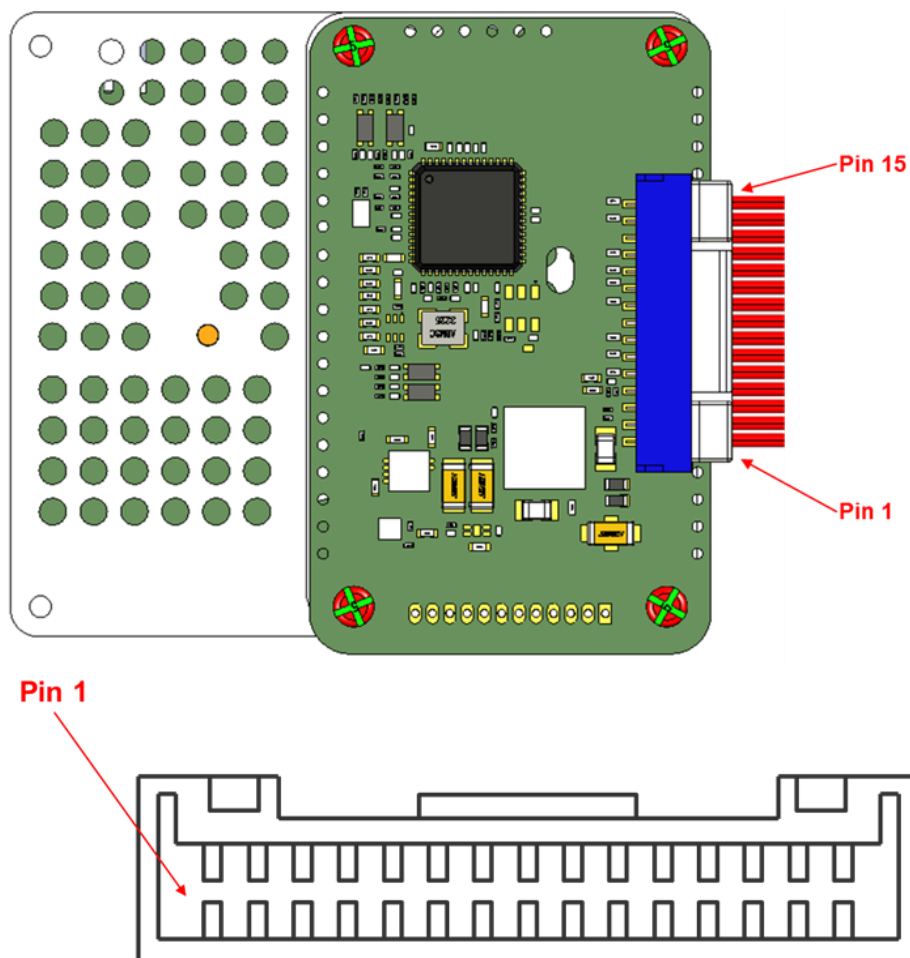


miniOEM/Helix Mesh Rider Radio – Connector Descriptions (legacy)

Connectors

S. No	Description	Manufacturer	MPN
1	Primary Connector	JST	SM15B-GHS-TBLFSN
2	Antenna Connectors	Molex	73414-0100

Primary Connector Pinout



Wire Descriptions

Pin Number	Direction	Voltage	Pin Description
PIN 1	I	+5-V	5-V Input Supply
PIN 2	I	+5-V	5-V Input Supply
PIN 3		GND	GND
PIN 4		GND	GND
PIN 5	I/O	+2.8-V	RESET – default high, pull low to reset
PIN 6	I	+3.3-V	UART_RX
PIN 7	O	+3.3-V	UART_TX
PIN 8		GND	GND
PIN 9	I	Diff Signal	ETH1_RX_P
PIN 10	I	Diff Signal	ETH1_RX_N
PIN 11	O	Diff Signal	ETH1_TX_P
PIN 12	O	Diff Signal	ETH1_TX_N
PIN 13		GND	GND
PIN 14	I/O	Diff Signal	USB-Dev-D- (Ethernet only)
PIN 15	I/O	Diff Signal	USB-Dev-D+ (Ethernet only)