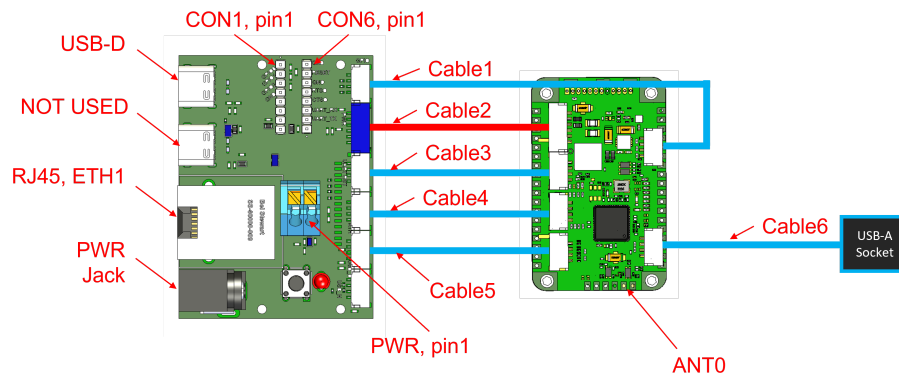


# nano-OEM and Helix Mesh Rider Radio – Eval Kit Connector Descriptions

## Connectors



## Cables

Cable Number	Description
<b>Cable1</b>	20cm, 4-position JST-GH to JST-GH cable
<b>Cable3, Cable4 Cable5</b>	10cm, 4-position JST-GH to JST-GH cable
<b>Cable2</b>	20cm, 6-position JST-GH to JST-GH cable
<b>Cable6</b>	10cm, 4-position JST-GH to USB-A Socket. USB-Host connector

## Pin Headers

### CON1

- 2-mm pin header

Pin Number	Direction	Voltage	Pin Description
<b>PIN 1</b>	I/O	0V to +2.8V	GPIO0

Pin Number	Direction	Voltage	Pin Description
<b>PIN 2</b>	I/O	0V to +2.8V	GPIO1
<b>PIN 3</b>	I/O	0V to +2.8V	GPIO2
<b>PIN 4</b>		GND	GND
<b>PIN 5</b>			NOT USED
<b>PIN 6</b>			NOT USED
<b>PIN 7</b>			NOT USED
<b>PIN 8</b>			NOT USED

## CON6

- 2-mm pin header

Pin Number	Direction	Voltage	Pin Description
<b>PIN 1</b>		GND	GND
<b>PIN 2</b>	I	0V to +2.8V	Reset pin (pulled HIGH internally). Pull LOW to reset
<b>PIN 3</b>		GND	GND
<b>PIN 4</b>			NOT USED
<b>PIN 5</b>			NOT USED
<b>PIN 6</b>	I	0V to +3.3V	UART_RX
<b>PIN 7</b>	O	0V to +3.3V	UART_TX
<b>PIN 8</b>		GND	GND

## Snap-in Connector (PWR)

Pin Number	Direction	Voltage	Pin Description
<b>PIN 1</b>		GND	GND
<b>PIN 2</b>	I	+5-V	PWR

## Standard Connectors

- USB-D: USB-C Device Connector supporting Ethernet over USB only
- RJ45: RJ45 Jack connected to Eth1
- PWR Jack: RAPC712X Barrel connector. 2.5-mm inner diameter, 6.3mm outer diameter.
- ANT0: MMCX Female Connectors