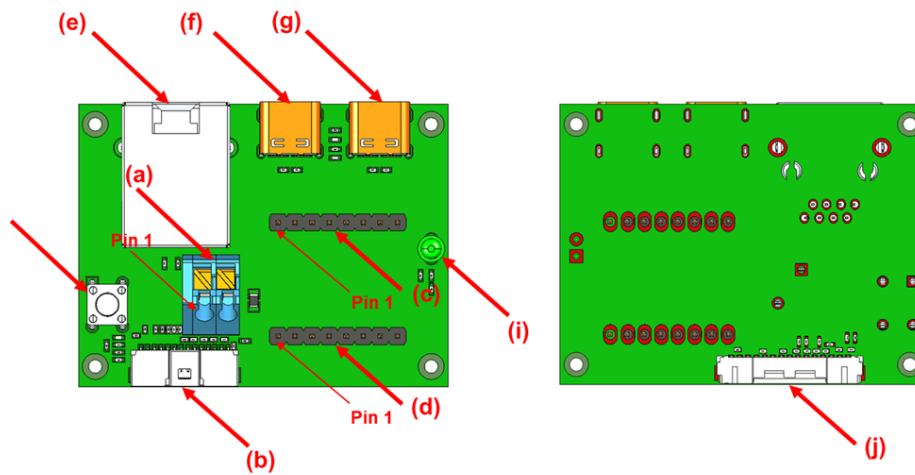


Wearable Mesh Rider Radio – Eval Kit Connector Descriptions

Connectors



S. No	Description
a	Power connector, snap-in (NOT FOR WEARABLE RADIO)
b	Primary connector to Wearable Mesh Rider Radio
c	Pin header, 2.54 mm
d	Pin header, 2.54 mm
e	RJ45 connector, ETH1
f	DNP
g	USB-C Host port
h	POWER_ON Pin
i	LED1, connected to GPIO1

S. No	Description
j	DNP
k	Reset Button

Pin Headers

Pin header (c)

Pin Number	Direction	Voltage	Pin Description
PIN 1		GND	GND
PIN 2			NOT USED
PIN 3			NOT USED
PIN 4		GND	GND
PIN 5		0V to +2.8V	GPIO1
PIN 6		GND	GND
PIN 7		0V to +3.3V	UART_TX
PIN 8		0V to +3.3V	UART_RX

Pin header (d)

Pin Number	Direction	Voltage	Pin Description
PIN 1	O	0V to +3.3V	FAN_CTRL (do not use)
PIN 2	O	+5-V	5-V, 1A Power Supply for USB

Pin Number	Direction	Voltage	Pin Description
PIN 3	I	0V to VIN	POWER_ON – default pulled high, pull low to trigger
PIN 4			NOT USED
PIN 5		GND	GND
PIN 6			NOT USED
PIN 7			NOT USED
PIN 8			NOT USED